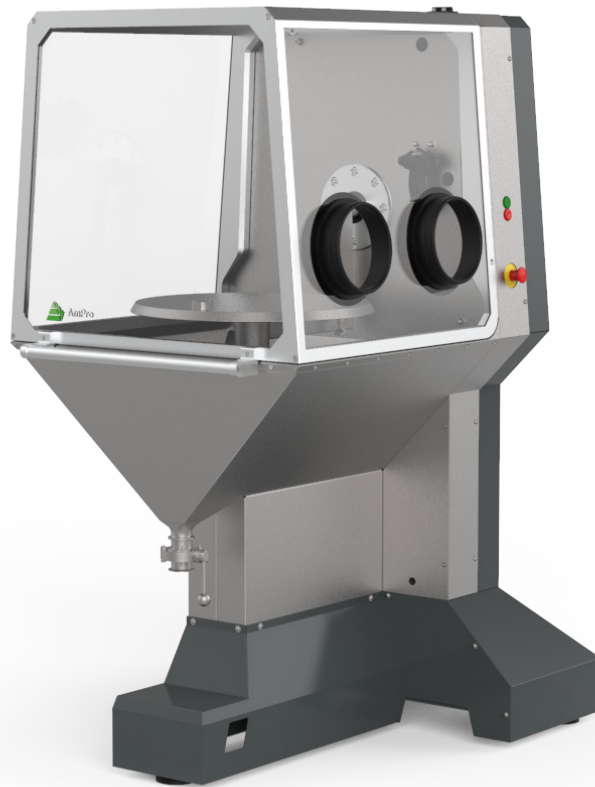


Residual Powder Removal Glove Box

G4190121

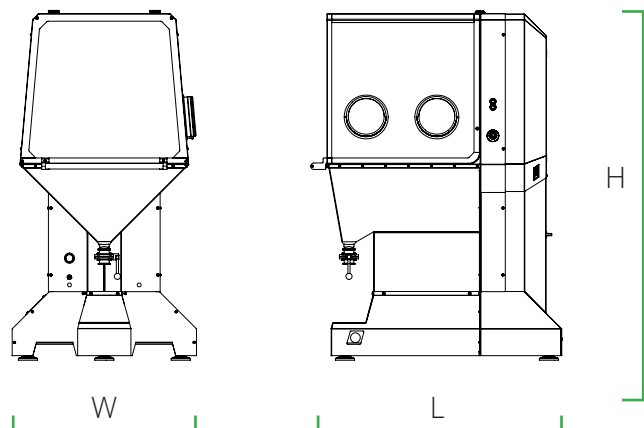


Features

- ◊ 360° rotation of build plates
- ◊ Contamination free powder recovery
- ◊ Fully inert atmosphere
- ◊ < 5min purge
- ◊ Inert blowgun for internal cavities
- ◊ Vibration functionality option*
- ◊ Maximum load 150kg
- ◊ Suits part volumes up to (ØxH) 575 x 500mm

Dimensions (mm)

Model	L	W	H
G4	1315	965	1830



* Details available on request